



2000 HDT PULL TYPE MIXER



Standard Equipment

- Three Patented Freestanding Vertical Cutting Augers
- Hydrostatic Drive System
- (15) Replaceable Forage Cutting Blades
- 1000 RPM PTO
- Heavy-Duty Tubular Steel Frame
- 1" M/S Floor
- 1/4" AR200 Walls
- 5/8" AR200 Auger Flighting
- Four Side Doors
- Ultra Wear Kicker Plates
- Removable Heavy Duty Hitch Jack
- 6 pt DG Stad 04 Plus Scale with Remote Port and 12 Recipe Programming Capability
- Articulating Hitch
- Tridem Steerable Axle w/ (12) 11R22.5 Tires & Hydraulic Brakes

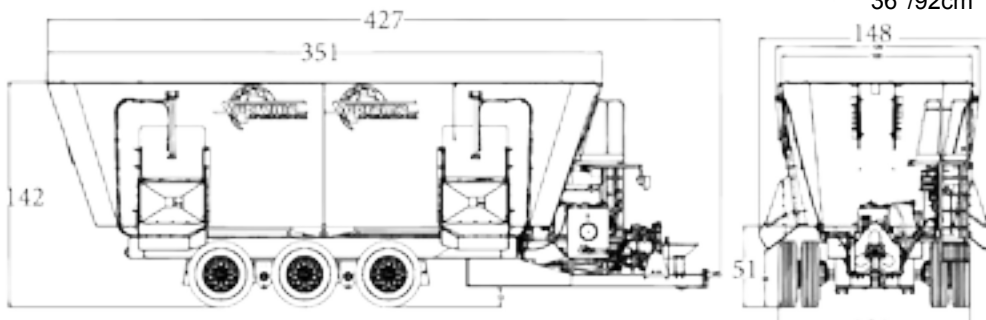
2000HDT



	Imperial	Metric
Empty Weight	40,000lbs	18,180kg
Max. Payload at 5MPH	60,000lbs	27,215
Height	142in	361cm
Height W/10" Extension	152in	386cm
Overall Width	148in	376cm
Overall Length	427in	1084cm
Min. HP Required	250	250
Capacity w/ Extension	1877 cu ft	53.1 m ³
Capacity Struck Level	1670 cu ft	47.2 m ³

Discharge Ground Clearance (side door)

Fixed Chute
36"/92cm



Standard unit may not be exactly as shown.

