



# MECHANICAL TRUCK MOUNT MIXERS

## Standard Equipment

- Two Patented Freestanding Vertical Cutting Augers
- Manual Restrictor Plates
- (2) Heavy-Duty, Two-Stage Planetary Drives
- Replaceable Forage Cutting Blades
- Ultra Wear Kicker Plates
- Front Center Discharge Door
- Viewing Platform
- 8' Flat Variable Speed Hydraulic Driven Chain Discharge Conveyor with Hydraulic Extender
- 4 pt DG Stad 04 Plus Scale with Remote Port and 12 Recipe Programming Capability
- Tub Mounted Weight Repeater
- Cab Display
- Heavy-Duty Tubular Steel Bolsters
- 3/4" M/S Floor
- 1/4" AR200 Walls
- 5/8" AR200 Auger Flighting



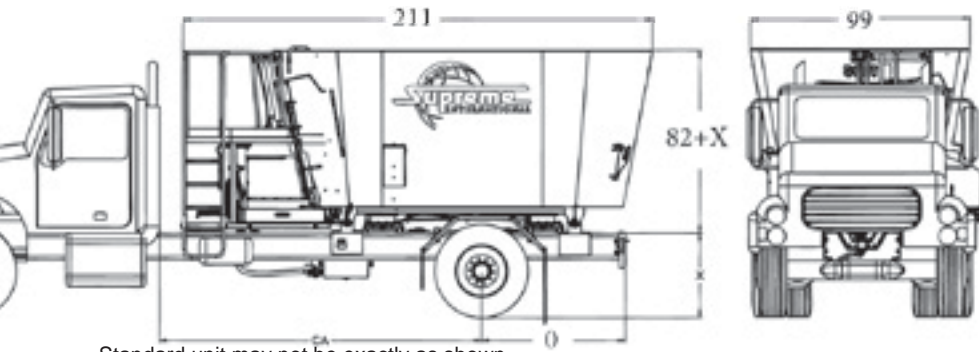
# 500T



	Imperial	Metric
Empty Weight	11,500lbs	5,216kg
Height	82in	208cm
Height W/10" Extension	92in	234cm
Overall Width	99in	251cm
Overall Length	211in	536cm
Min. Power Required	210HP	154.5kW
Capacity w/ Extension	555 cu ft	15.7 m <sup>3</sup>
Capacity Struck Level	480 cu ft	13.6 m <sup>3</sup>

### Additional Standard Equipment

- (8) Replaceable Forage Cutting Blades



Height of truck frame to top of tub. Add to truck frame height for overall height.

Overall width and length dependent on style of truck, conveyor/discharge options ordered.

Standard unit may not be exactly as shown.

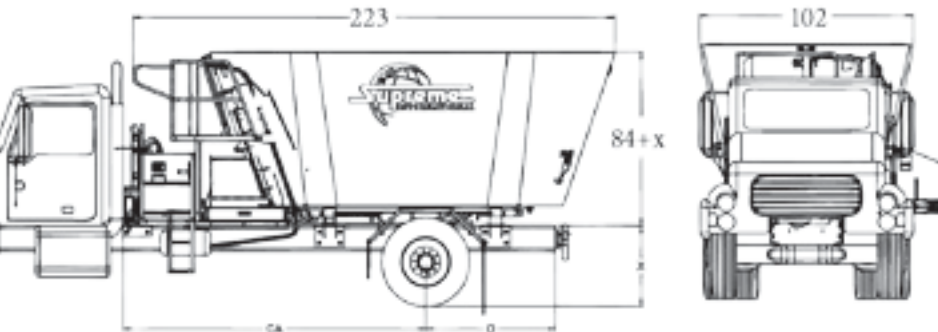
# 600T



	Imperial	Metric
Empty Weight	12,280lbs	5,570kg
Height	84in	213cm
Height W/10" Extension	94in	239cm
Overall Width	102in	259cm
Overall Length	223in	566cm
Min. Power Required	260HP	191.2kW
Capacity w/ Extension	641 cu ft	18.2 m <sup>3</sup>
Capacity Struck Level	549 cu ft	15.6 m <sup>3</sup>

### Additional Standard Equipment

- (10) Replaceable Forage Cutting Blades



Height of truck frame to top of tub. Add to truck frame height for overall height.

Overall width and length dependent on style of truck, conveyor/discharge options ordered.

Standard unit may not be exactly as shown.

# 700T



	Imperial	Metric
Empty Weight	12,385lbs	5,618kg
Height	92in	234cm
Height W/10" Extension	102in	259cm
Overall Width	102in	259cm
Overall Length	213in	542cm
Min. Power Required	260HP	191.2kW
Capacity w/ Extension	649 cu ft	18.4 m <sup>3</sup>
Capacity Struck Level	568 cu ft	16.1 m <sup>3</sup>

### Additional Standard Equipment

- (10) Replaceable Forage Cutting Blades



Height of truck frame to top of tub. Add to truck frame height for overall height.

Overall width and length dependent on style of truck, conveyor/discharge options ordered.

Standard unit may not be exactly as shown.

