



HYDROSTATIC TRUCK MOUNT MIXERS

Standard Equipment

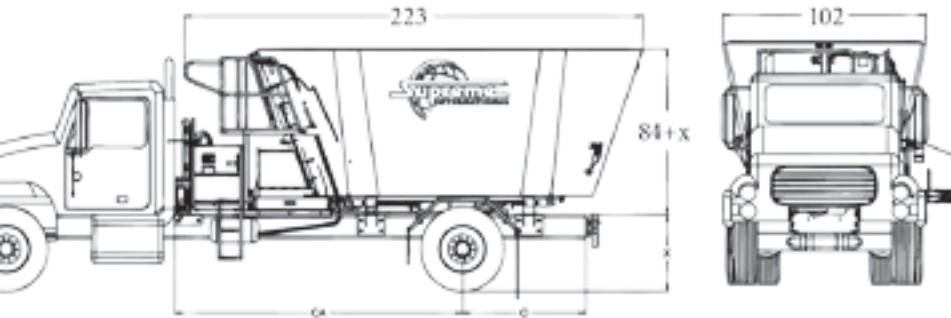
- Two Patented Freestanding Vertical Cutting Augers
- Manual Restrictor Plates
- 100% Hydrostatic Drive System
- (10) Replaceable Forage Cutting Blades
- Ultra Wear Kicker Plates
- Front Center Discharge Door
- Viewing Platform
- SS Conveyor Top Pan
- 8' Flat Variable Speed Hydraulic Driven Chain Discharge Conveyor with Hydraulic Extender
- 4 pt DG Stad 04 Plus Scale with Remote Port and 12 Recipe Programming Capability
- Tub Mounted Weight Repeater
- Cab Display
- Heavy-Duty Tubular Steel Bolsters
- 3/4" M/S Floor
- 1/4" AR200 Walls
- 5/8" AR200 Auger Flighting



600T



	Imperial	Metric
Empty Weight	12,280lbs	5,570kg
Height	84in	213cm
Height W/10" Extension	94in	239cm
Overall Width	102in	259cm
Overall Length	223in	566cm
Min. Power Required	210HP	154.5kW
Capacity w/ Extension	641 cu ft	18.2 m ³
Capacity Struck Level	549 cu ft	15.6 m ³



Height of truck frame to top of tub. Add to truck frame height for overall height.

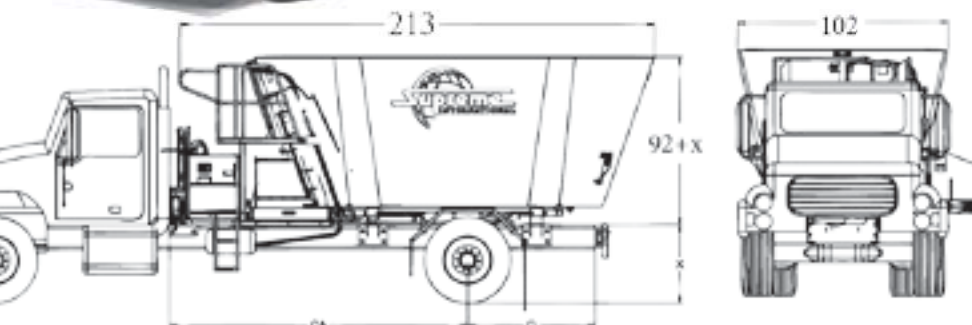
Overall width and length dependent on style of truck, conveyor/discharge options ordered.

Standard unit may not be exactly as shown.

700T



	Imperial	Metric
Empty Weight	12,385lbs	5,618kg
Height	92in	234cm
Height W/10" Extension	102in	259cm
Overall Width	102in	259cm
Overall Length	213in	542cm
Min. Power Required	210HP	154.5kW
Capacity w/ Extension	649 cu ft	18.4 m ³
Capacity Struck Level	568 cu ft	16.1 m ³



Height of truck frame to top of tub. Add to truck frame height for overall height.

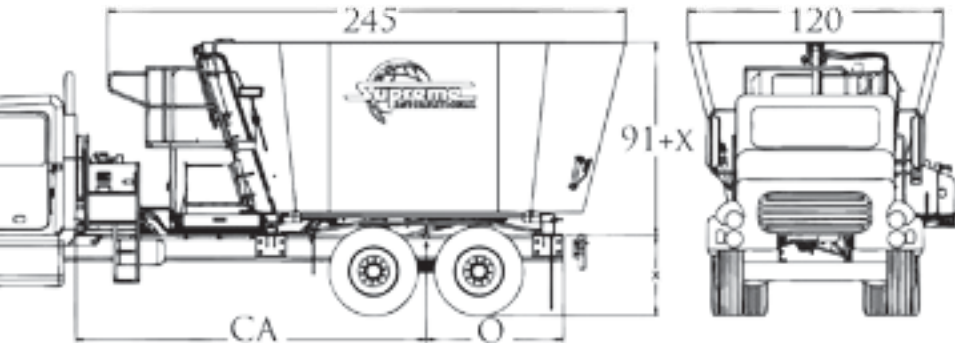
Overall width and length dependent on style of truck, conveyor/discharge options ordered.

Standard unit may not be exactly as shown.

900T



	Imperial	Metric
Empty Weight	13,675	6,203kg
Height	91in	231cm
Height W/10" Extension	101in	257cm
Overall Width	120in	305cm
Overall Length	245in	622cm
Min. Power Required	250HP	183.9kW
Capacity w/ Extension	849 cu ft	24.1 m ³
Capacity Struck Level	739 cu ft	20.9 m ³



Standard unit may not be exactly as shown.

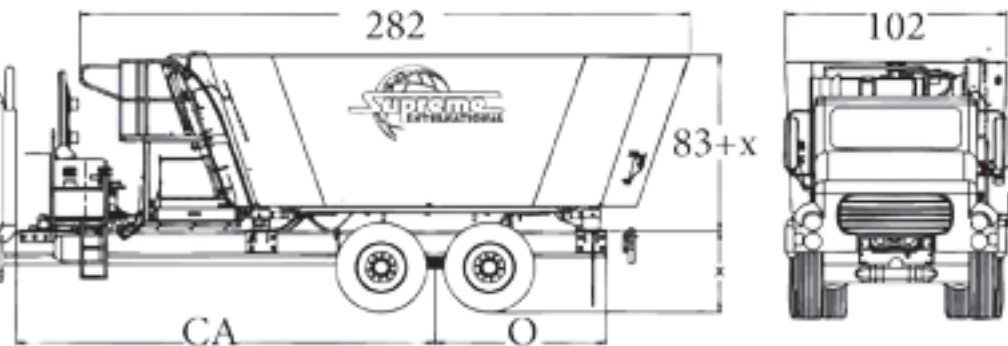
Height of truck frame to top of tub. Add to truck frame height for overall height.

Overall width and length dependent on style of truck, conveyor/discharge options ordered.

1000T



	Imperial	Metric
Empty Weight	18,450lbs	8,369kg
Height	83in	211cm
Height W/10" Extension	93in	236cm
Overall Width	102in	259cm
Overall Length	282in	716cm
Min. HP Required	350HP	257.4kW
Capacity w/ Extension	906 cu ft	25.7 m ³
Capacity Struck Level	789 cu ft	22.3 m ³



Standard unit may not be exactly as shown.

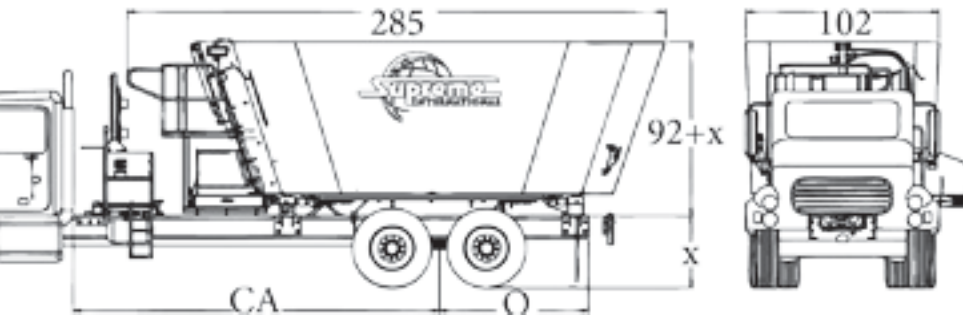
Height of truck frame to top of tub. Add to truck frame height for overall height.

Overall width and length dependent on style of truck, conveyor/discharge options ordered.

1200T



	Imperial	Metric
Empty Weight	18,950lbs	8,596kg
Height	92in	234cm
Height W/10" Extension	102in	259cm
Overall Width	102in	259cm
Overall Length	285in	724cm
Min. Power Required	350HP	257.4kW
Capacity w/ Extension	1038 cu ft	29.4 m ³
Capacity Struck Level	917 cu ft	26.0 m ³



Height of truck frame to top of tub. Add to truck frame height for overall height.

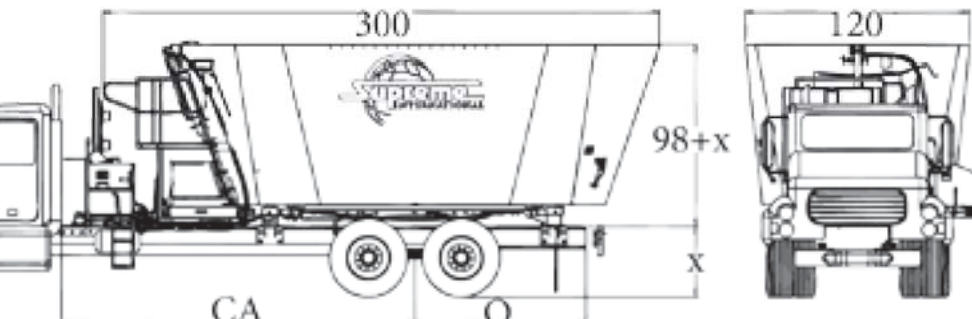
Overall width and length dependent on style of truck, conveyor/discharge options ordered.

Standard unit may not be exactly as shown.

1400T



	Imperial	Metric
Empty Weight	20,750lbs	9,412kg
Height	98in	249cm
Height W/10" Extension	108in	275cm
Overall Width	120in	305cm
Overall Length	300in	762cm
Min. Power Required	400HP	294.2kW
Capacity w/ Extension	1312 cu ft	37.2 m ³
Capacity Struck Level	1157 cu ft	32.8 m ³



Height of truck frame to top of tub. Add to truck frame height for overall height.

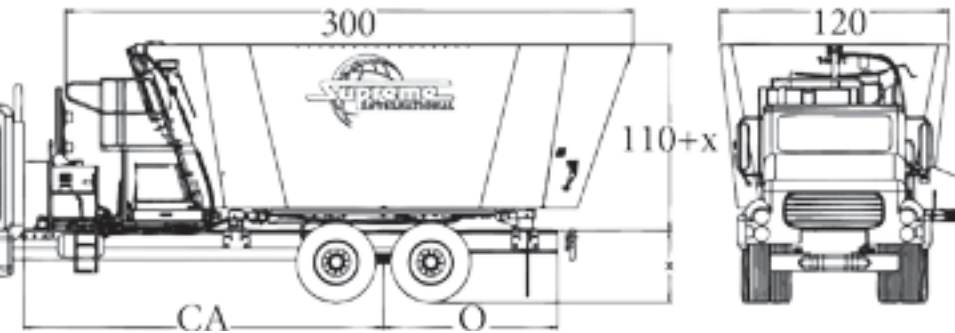
Overall width and length dependent on style of truck, conveyor/discharge options ordered.

Standard unit may not be exactly as shown.

1600T



	Imperial	Metric
Empty Weight	21,750lbs	9,866kg
Height	110in	279cm
Height W/10" Extension	120in	305cm
Overall Width	122in	310cm
Overall Length	300in	762cm
Min. Power Required	425HP	312.6kW
Capacity w/ Extension	1480 cu ft	41.9 m ³
Capacity Struck Level	1325 cu ft	37.5 m ³



Standard unit may not be exactly as shown.

1600TTM Comes Standard with
5/16" AR200 Walls

Height of truck frame to top of tub. Add to
truck frame height for overall height.

Overall width and length dependent on
style of truck, conveyor/discharge options
ordered.

