

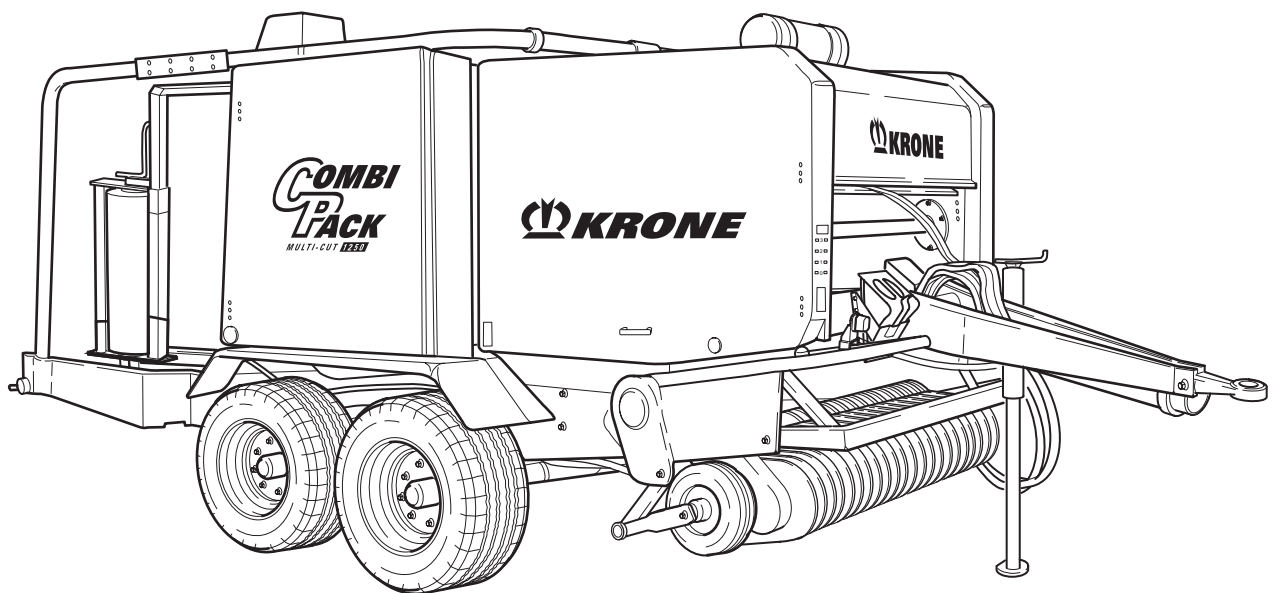


Operating manual

150 000 049 00 EN

Bale turner

Supplement to Operating Instructions
Combi Pack 1250 MultiCut and
Combi Pack 1500 V





1 General Information


The operating manual contains basic instructions to be observed when attaching, operating and doing maintenance work. Therefore it is imperative that the operating personnel have access to and read this operating manual and the operating manual of Combi Pack before putting into operation and using the implement.

In addition to the general safety notes contained in the „safety section“ of the Operating Instructions of Combi Pack 1250 MC & Combi Pack 1500 V, you must also observe all particular safe notes included in the other main sections of the manual.

1.1 Designated Purpose

The bale turner takes over the bale from the wrapping table and deposits it directly onto the ground (with its flat side resting on the ground). Erecting the bale is only possible with the machine stopped. Operational reliability can be limited when the equipment is operated in sloping conditions. It is recommended to deposit the bale transversally to the slope with the bale retainer installed. As a rule, the bales must be deposited to the right.

It is essential to check the film after having turned a bale since damage can occur to the film in difficult operating conditions (e.g. conically shaped bales, operation in sloping conditions). If the film is damaged, it is commendable not to continue turning the bales, but to remove the bale turner.

 **We reject any indemnification for wasted silage as this problem can be caused by many circumstances which we are unable to trace.**

1.2 Technical Data

1.2.1 General Information

This operating manual is valid for the Combi Pack 1250 and Combi Pack 1500 V with bale turner

1.2.2 Manufacturer's Address

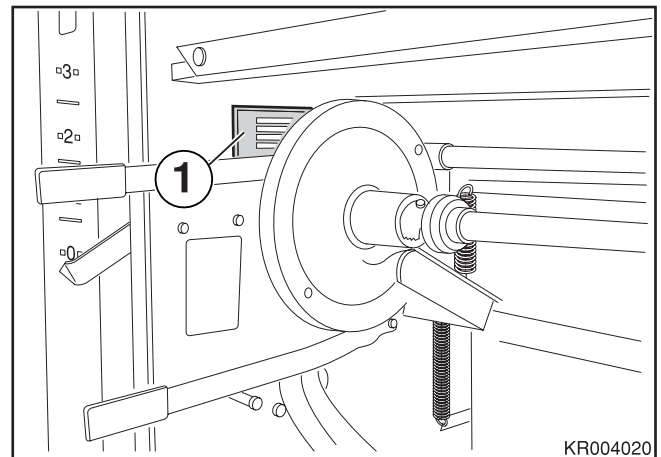
Maschinenfabrik Bernard Krone GmbH
Heinrich-Krone-Straße 10
D-48480 Spelle (Germany)
Telephone: (49) 0 59 77/935-0
Fax: (49) 0 59 77/935-339
E-mail: info.ldm@krone.de

1.2.3 Certification

See reverse side of title page of operating instruction Combi Pack 1250 / Combi Pack 1500 V

1.2.4 Identification

The machine data are listed on the identification plate (1). This is located on the inside right of the machine near the net brake.



Type

Vehicle ID no.

Year



The entire identification plate represents a legal document and should not be altered or rendered illegible!

1.2.5 Data Required for Inquiries and Orders

When making inquiries concerning the machine or ordering replacement parts, be sure to provide type designation, vehicle ID number and year of manufacture.

We recommend that these details be entered in the above boxes so that they are readily available.



Genuine replacement parts and accessories authorized by the manufacturer help ensure safety. Use of other parts may void liability for damage which results.

2. Installation of the bale turner

2.1 Special Safety Instructions



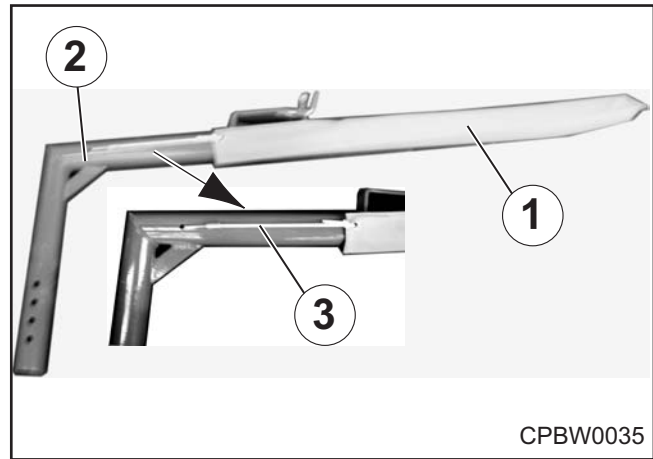
- The following general rules apply to all maintenance, assembly, repair and adjustment work: Bring the machine to a standstill. Switch off the engine. Remove the ignition key! Secure the tractor and round baler against rolling. Cut supply voltage to comfort controls.

2.2 Attaching the second swivel table cylinder(Combi Pack 1250 only)

See Info CP 15 (241 226-0)

If the bale turner is used with the CP1250, a second swivel table cylinder must be mounted.

To prevent damage to the bales, it is essential to place a cloth (1) onto bale retainer (2) and secure using the rubber tapes (3).

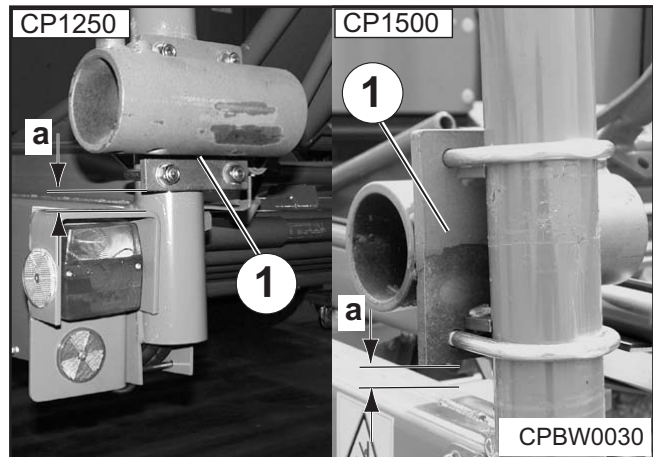


2.3 Installing the bale retainer

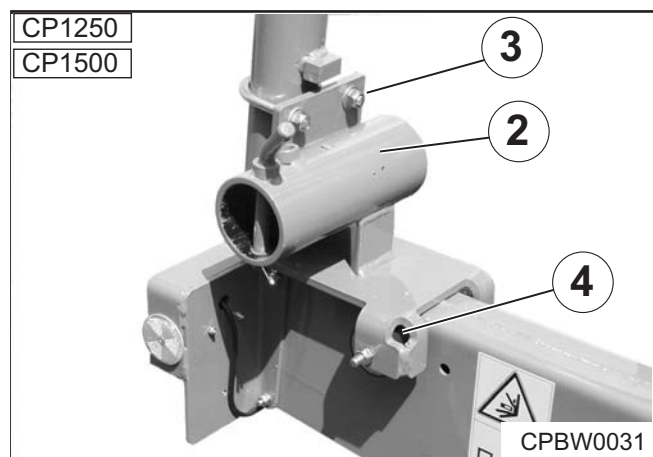
- Install the left hand guide (1) as shown in the figure. $a = 20 \text{ mm}$.



In any case a bale retainer must be installed on the left-hand machine side. This will permit the bale turner to be locked in the vertical position for road journeys.



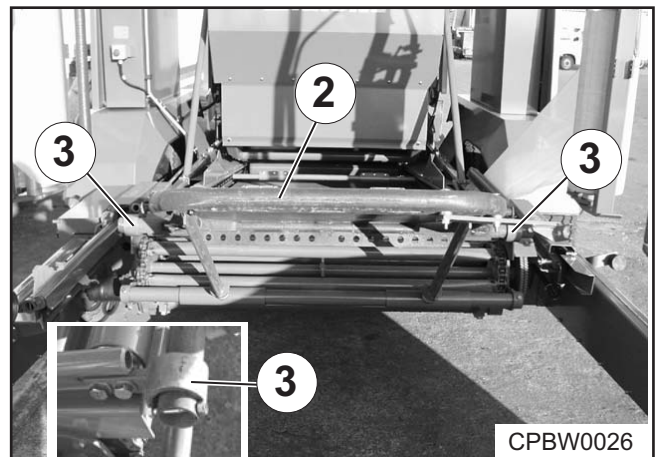
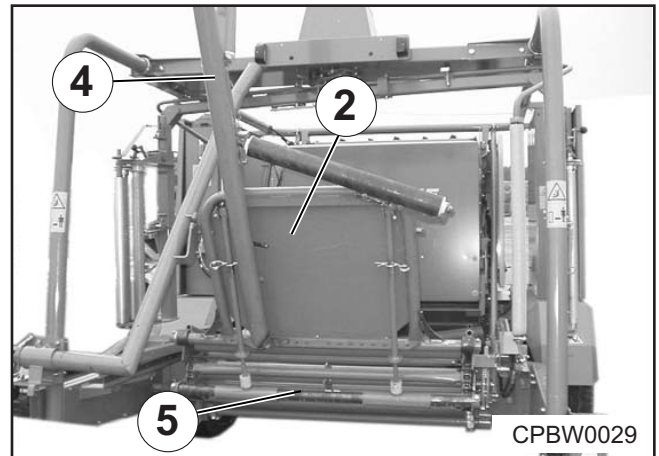
- Install the right hand guide (2) as shown in the figure.
- Tighten self-locking nuts (3) so that guide (2) can rotate freely. This will allow rubber buffer (4) to damp shocks



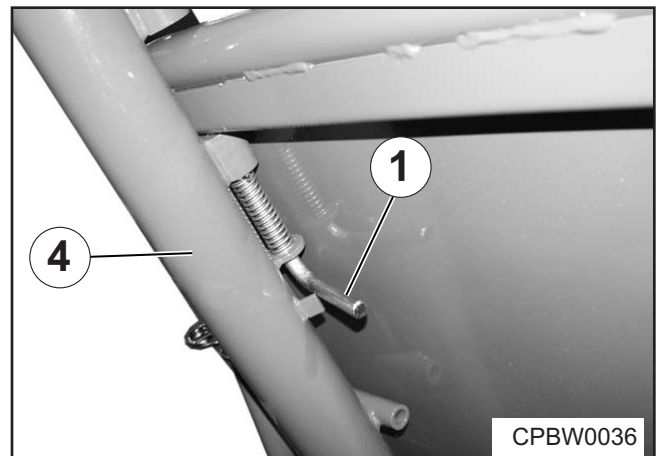
2.4 Installing the bale turner

The bale turner is composed of the platform (2) which can remain installed on the machine and the bale retainer (4) which can be removed without tools if the bales are not to be turned.

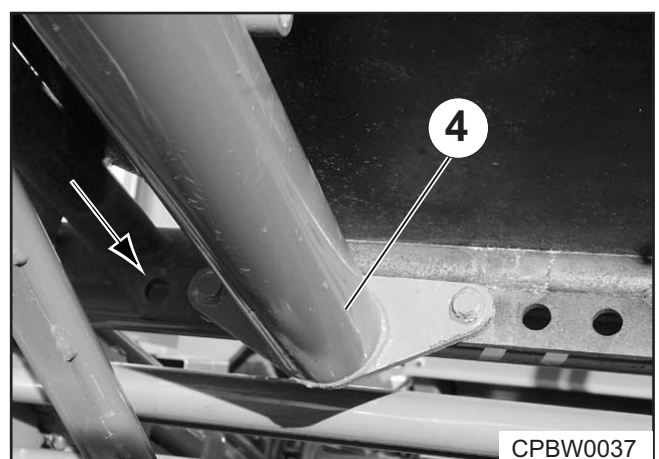
- Remove the bale cloth and install bale turner .
(Replace tube (5).)
- Install platform (2) using pivot arms (3).



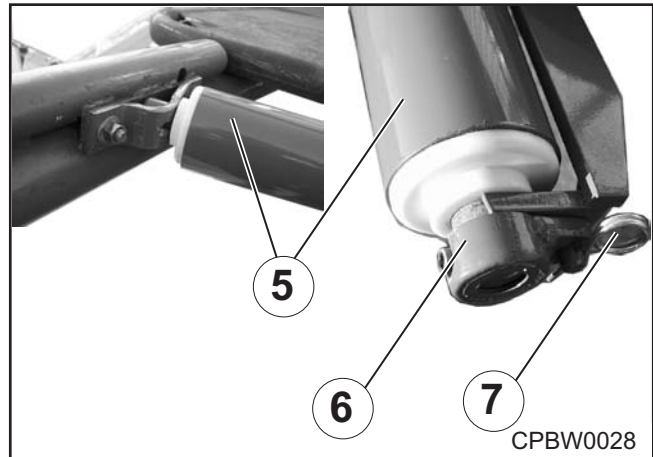
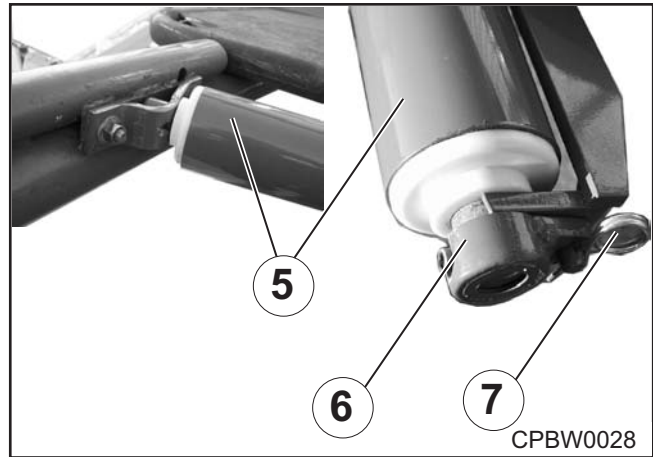
- Install bale retainer (4) and tighten locking pin (1).



- Introduce bale retainer (4) into perforated strip so that one hole is free on the left.
- Secure bale retainer (4) using locking pin (1).



- Install roll (5) and secure using cap (6) and spring clip (7).

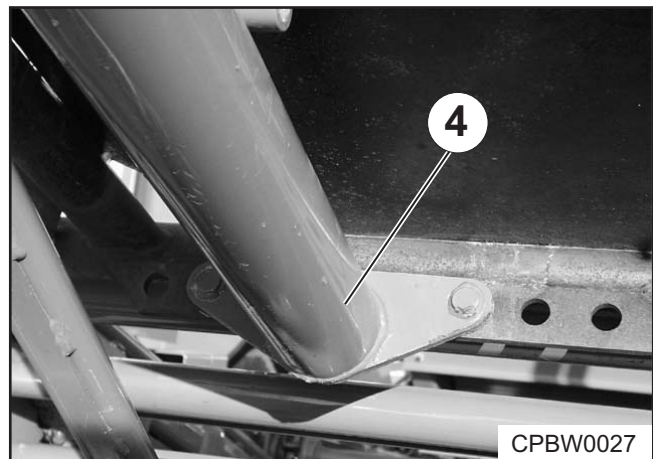


2.5 Removing the bale turner

If the bales are not to be deposited on their flat surface, the supporting arm (4) can be removed.

- Remove roll (5).
- Remove supporting arm (4) and place it aside.

Platform (2) can remain installed on the machine.



3 Adjustment of the bale turner

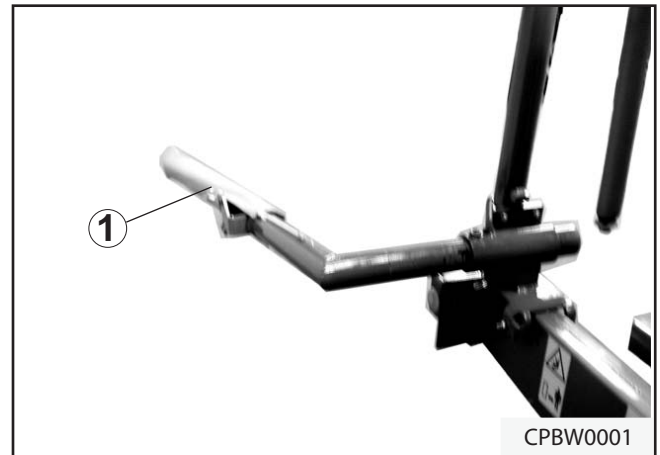
3.1 Special Safety Instructions



- The following general rules apply to all maintenance, assembly, repair and adjustment work: Bring the machine to a standstill. Switch off the engine. Remove the ignition key! Secure the tractor and round baler against rolling. Cut supply voltage to comfort controls.

Adjustable bale retainer (working position)

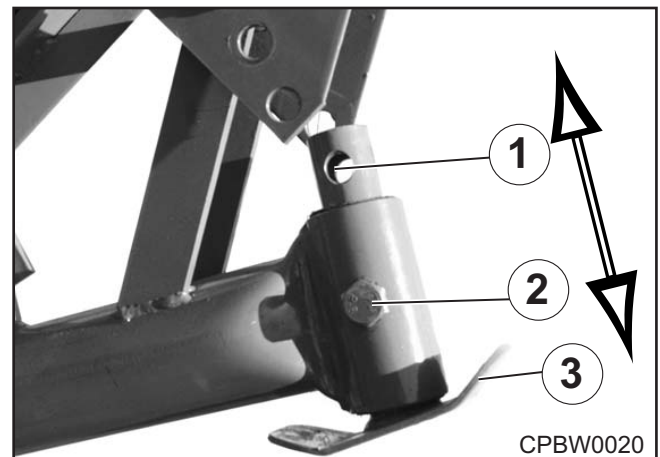
Bale retainer (1) can be set to any bale diameter transversally to the travel direction. The bale retainer should be set to the largest possible distance from the bale lying on its flat side. On the other hand it must be ensured that the tilting bale is securely caught by the bale retainer.



3.2 Adjusting the platform pitch

The platform pitch can be adjusted at the jack stand (3).

This setting is required to match the platform pitch to different tyre diameters of the Combi Pack.



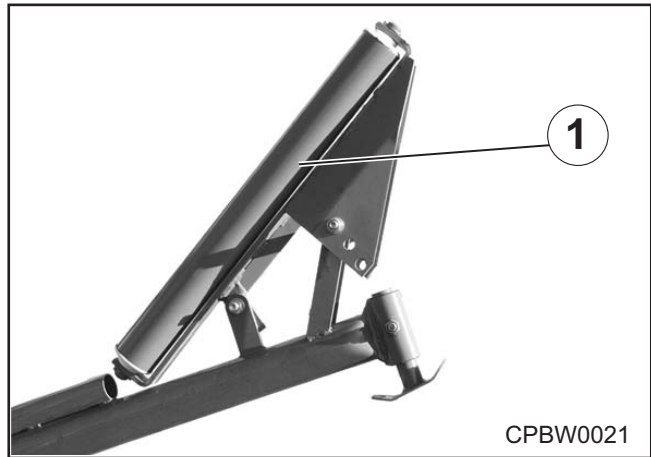
Tyre	Position
500/45-22.5/8 ply	1
15.0/55-17/10 ply	2
19.0/45-17/10 ply	2
500/50-17/10 ply	2

The rear role (1) can be set to three different pitch angles.

It is recommended to choose the setting with the lowermost pitch angle.



After adjustment check that the setting of the rear role (1) ensures that the bale is securely tilted.

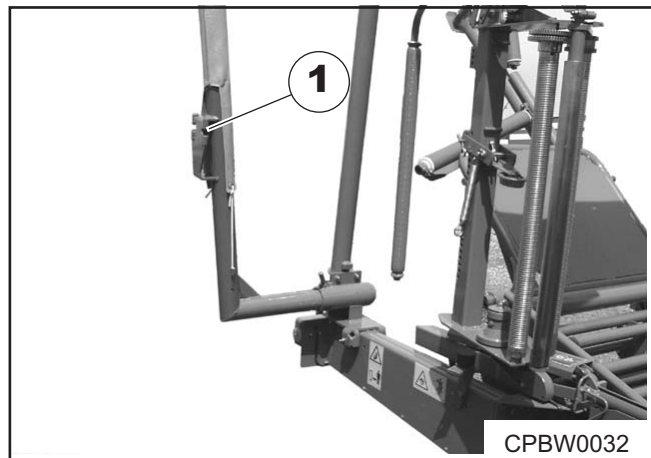


3.3 Depositing the bales without bale retainer

To deposit the bales without bale retainer (1), same has to be moved fully outward and then swung to the top and locked.



It is not permissible to drive on public roads with the bale retainer (1) in this position. The bale retainer must first be locked in transport position (see section 4.1).



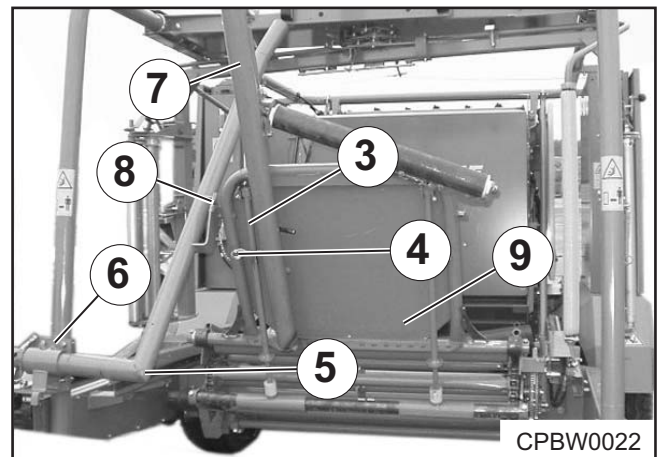
4 Road Driving



- Driving on public roads is permitted only if the bale chamber is empty and locked.
- Carrying passengers on the round baler is not permitted.
- Permissible top speed: 40 km/h.
- Follow the conditions contained in the operating permit!
- Check the road safety of the round baler before driving on public roads. In particular, check the lighting equipment and tyres, make sure that the protective plates have been secured, the pick-up is secured in the raised position and that the bale chamber is locked.
- Before starting, ensure that you have perfect visibility on and around the tractor and the round baler.

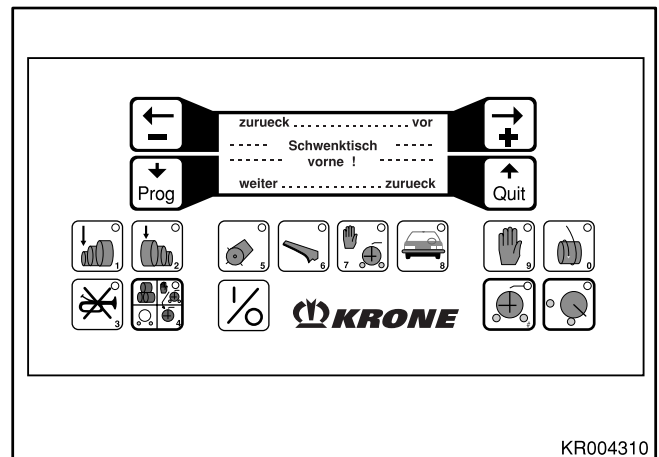
4.1 Moving the bale turner to transport position

To keep the length of the machine as short as possible, and to minimise the load on the swivel table, the bale turner must be moved to the transport position for road travel.

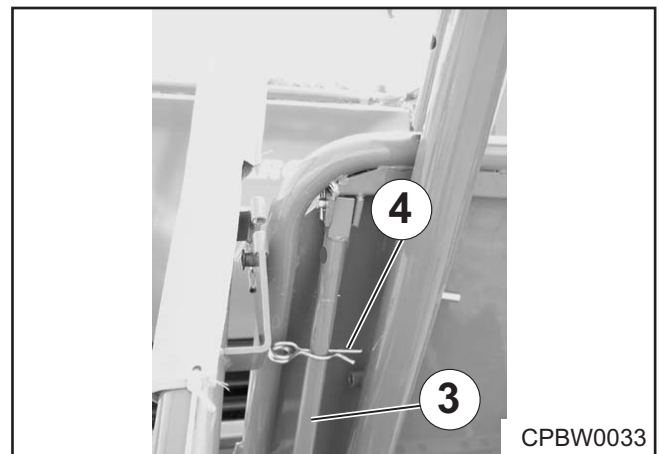


For the conversion proceed as follows:

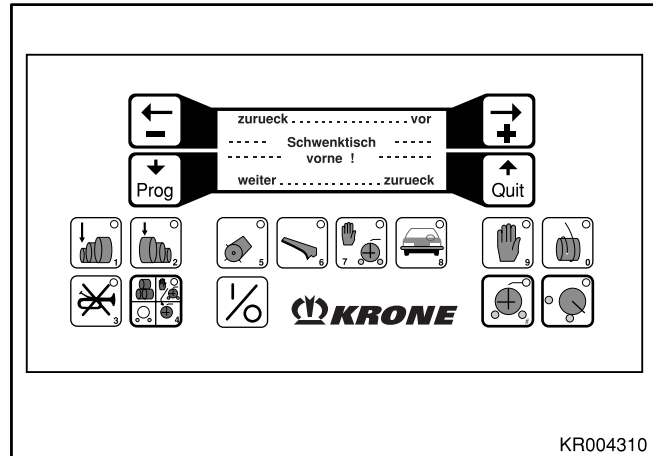
- Switch into Manual mode on the control unit (see the section entitled „Manual mode“ in the machine’s operating instructions).
- Scroll forward in the display until „Swivel table“ appears in the display.
- Move the swivel table „back“.



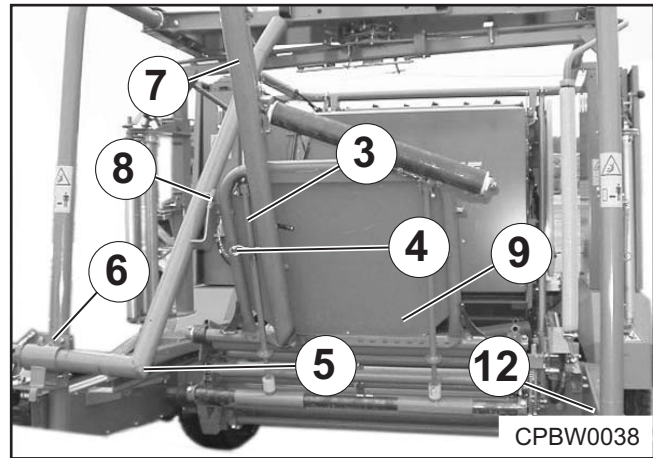
- Deactivate the telescoping function of the left hand lever (3) by inserting spring clip (4) into the lower hole.



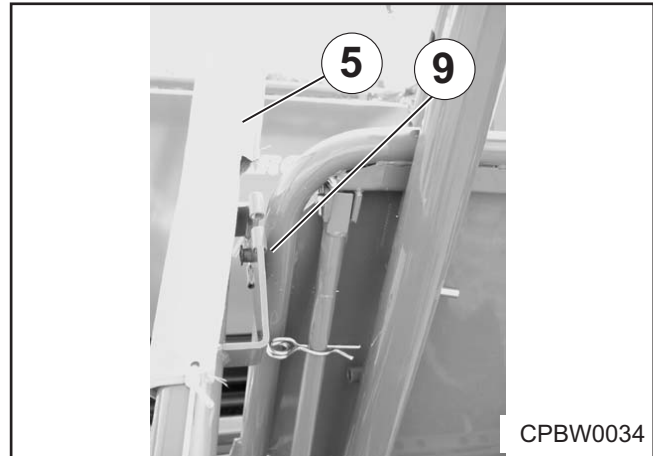
- Deactivate the telescoping function of the left hand lever (3) by inserting spring clip (4) into the lower hole.
- Move the swivel table „forward“ (see the section entitled „Manual mode – swivel table“ in the machine’s operating instructions. This will automatically cause the bale turner to move to the top.



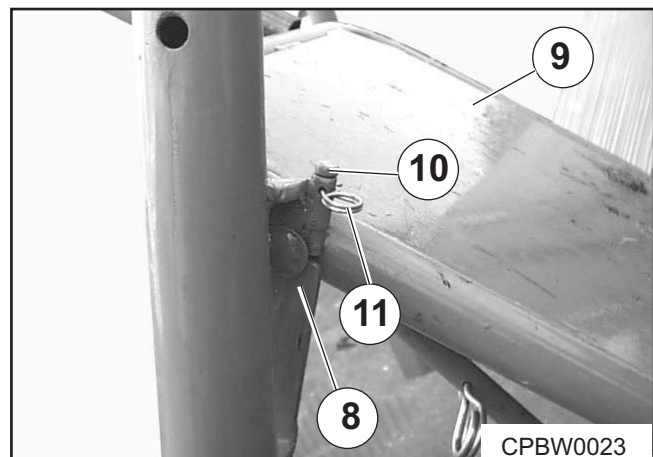
- Take bale retainer (5) out of the right guide.



- Re-install the bale retainer (5) from inside of the left guide (6) and leave it rest against the stud of platform (9).



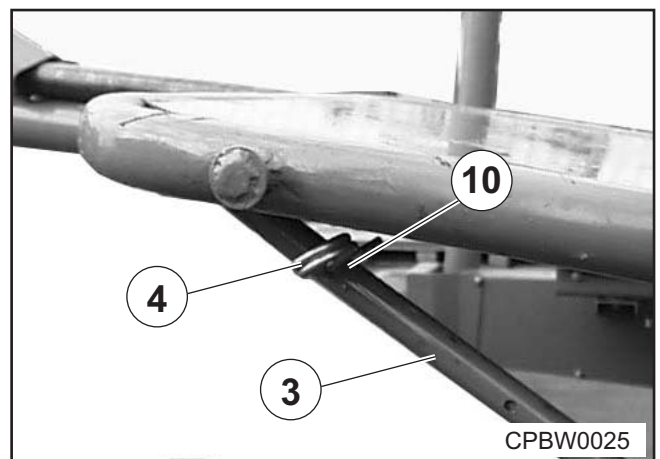
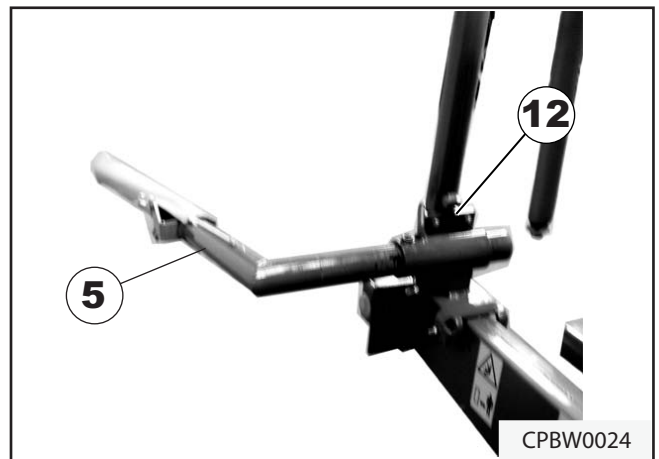
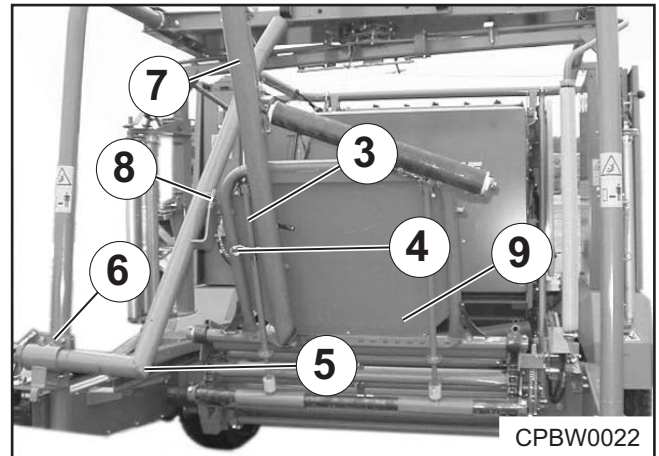
- Push bale turner (7) to the front until the platform engages into pocket (8) of the bale retainer.
- Secure platform (9) using pin (10) and R-clip (11).



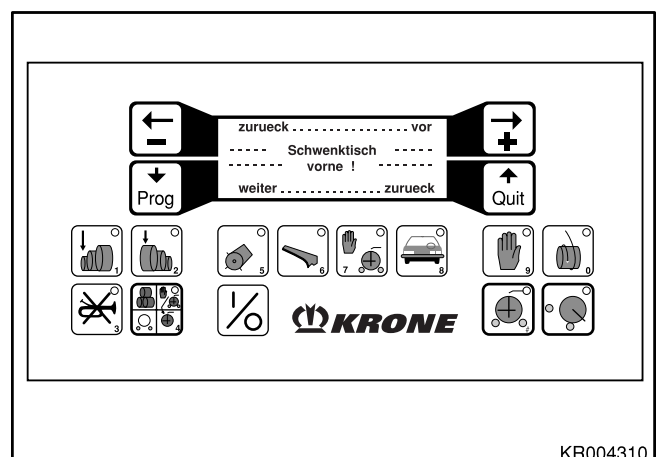
4.2 Moving the bale turner to working position

To move the bale turner to working position, proceed as follows:

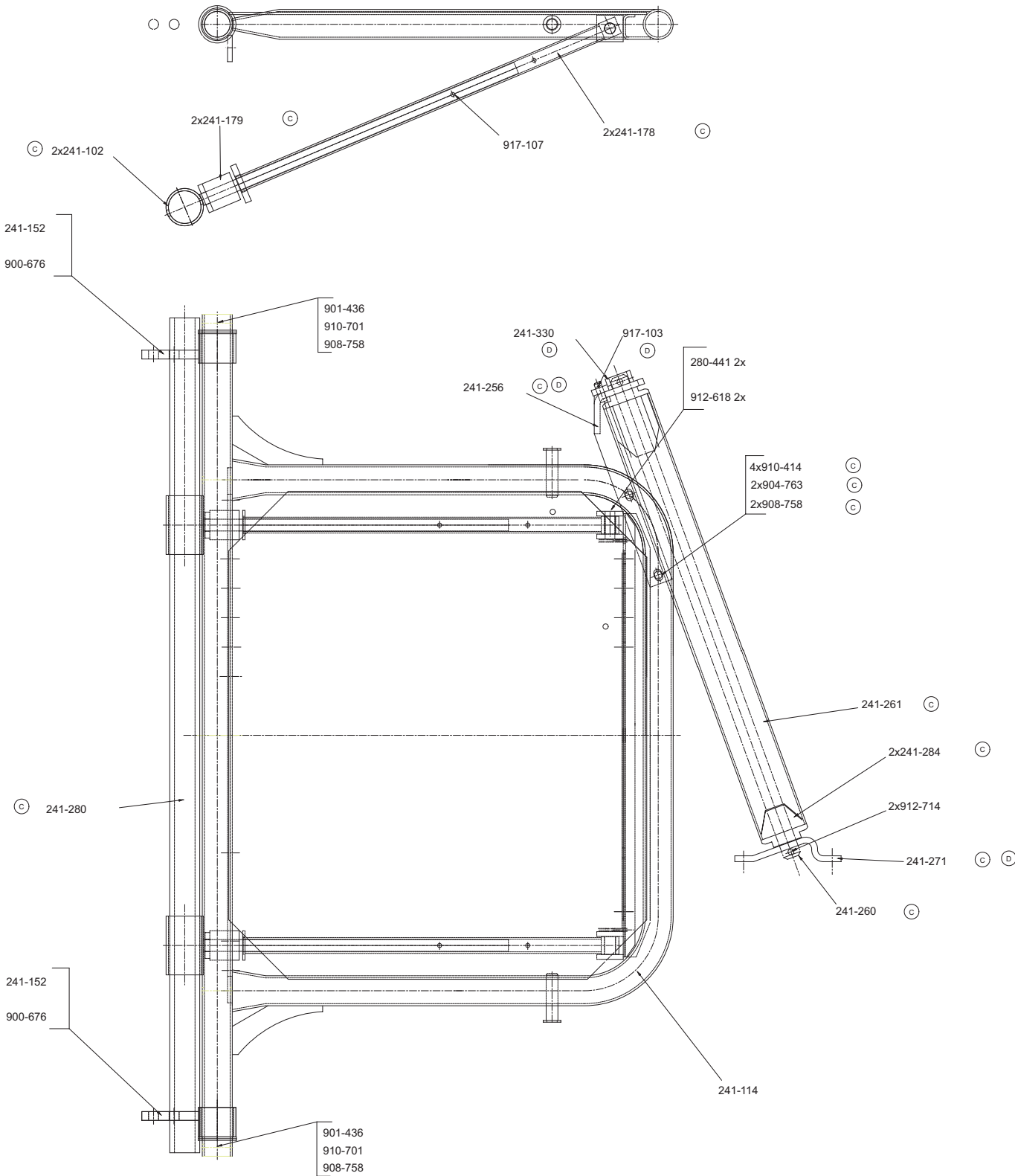
- Push bale turner (7) to the front, unlock bale retainer (5) and leave the bale turner (7) rest onto R-clip (4).
- Take bale retainer (5) out of the left guide (6) into the right guide (12) and move to working position (to the right hand side).
- Switch into Manual mode on the control unit (see the section entitled „Manual mode“ in the machine’s operating instructions).
- Scroll forward in the display until „Swivel table“ appears in the display.
- Move the swivel table „back“.The bale turner automatically moves to working position.
- Activate the telescoping function of lever (3) by removing R-clip (4).
- Install R-clip (4) in parking position (10).
- Move the swivel table „forward“.

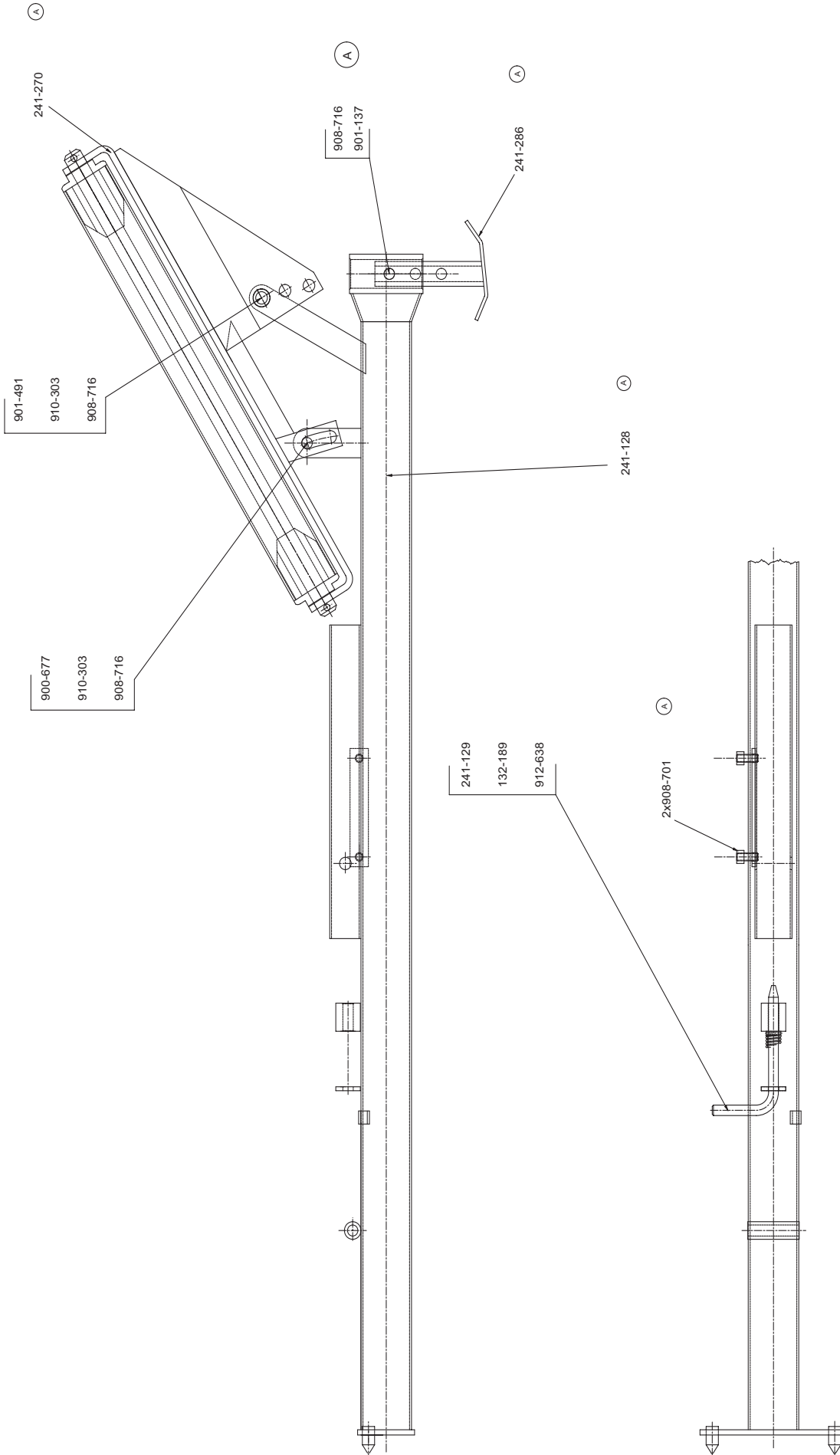


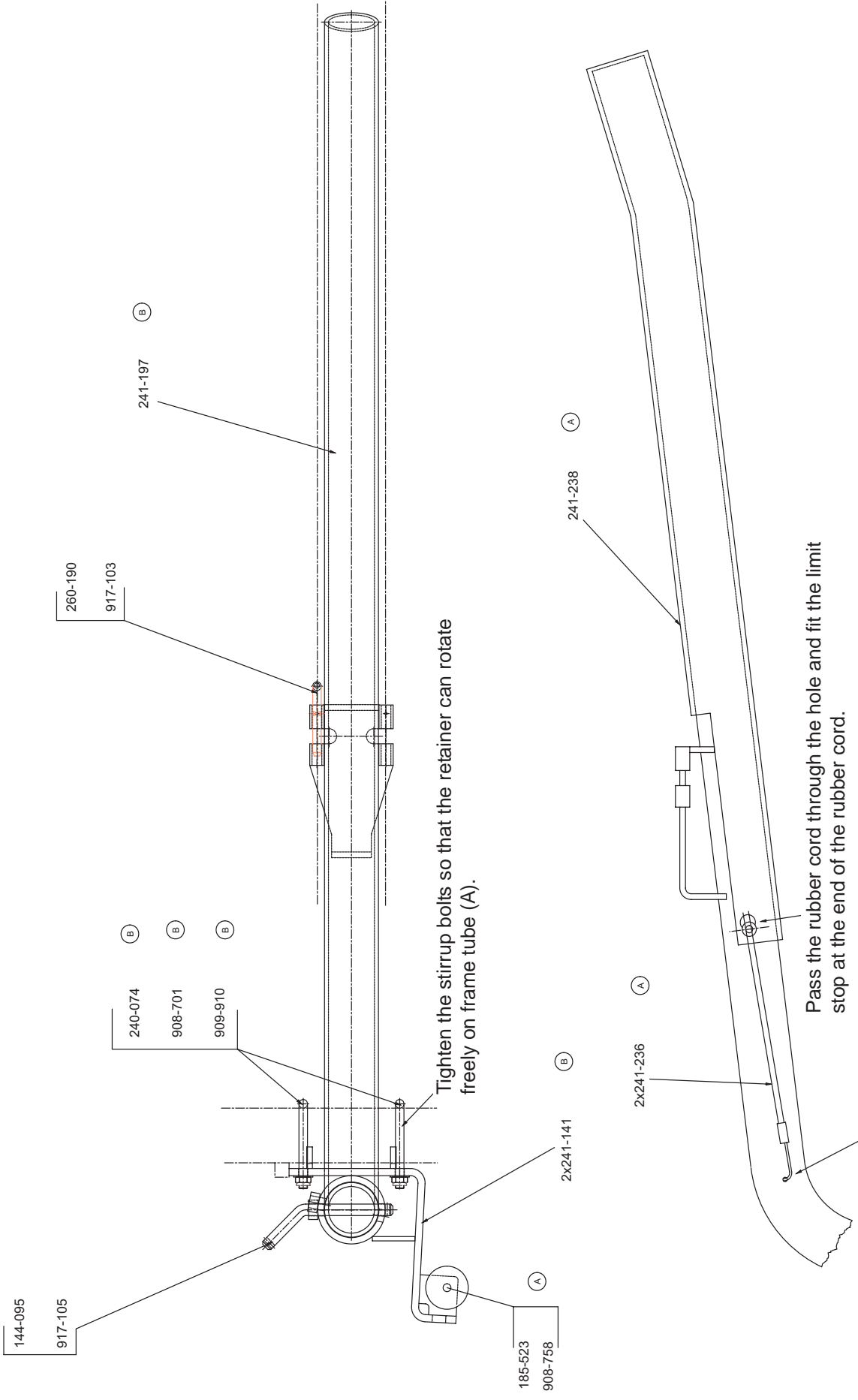
It is essential to actuate only control valve (2) (wrapping table) as otherwise the wrong functions can be activated. Danger of accident!











If the rubber cloth is pulled to the front (as shown in the figure), the rubber springs should be under light tension only.



KRONE

... konsequent, kompetent

Maschinenfabrik Bernard Krone GmbH

Heinrich-Krone-Straße 10, D-48480 Spelle
Postfach 11 63, D-48478 Spelle

Phone +049 (0) 59 77/935-0
Fax +049 (0) 59 77/935-339
Internet: <http://www.krone.de>
eMail: info.ldm@krone.de